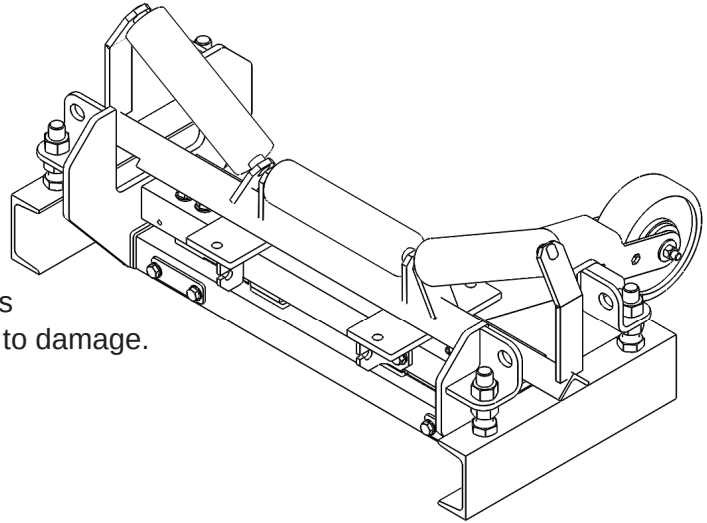


BELT SCALE WPL

Automatic belt scales WPL are used to measure the material flow on the conveyor belt continuously.

Thanks to its simplicity, it is an economical solution that will work even in difficult working conditions.

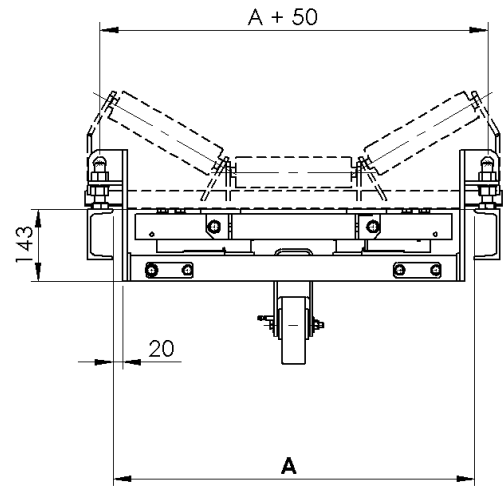
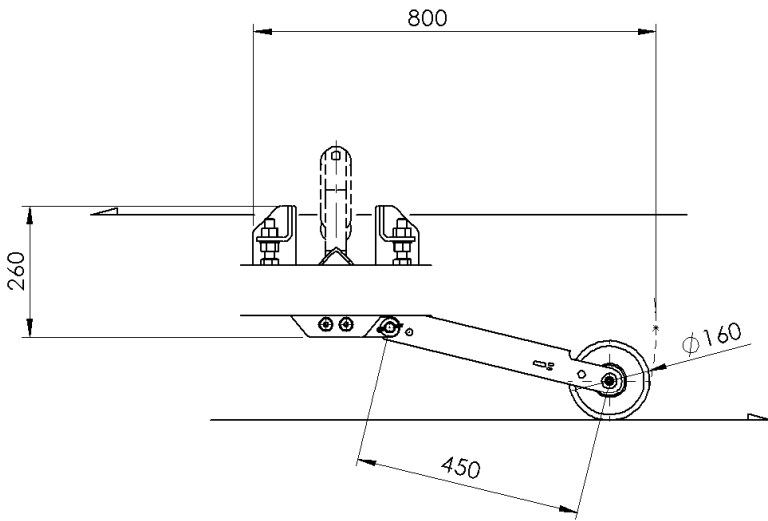
Due to its small size, it is particularly suitable for installation in places where it is necessary to deal with small amount of space. Despite the small dimensions, the design of the balance is rigid enough even for high loads and the shielded strain gauges are not exposed to damage.



Advantages:

- The most affordable belt scale in our offer.
- Ability to easily adjust the weight level.
- Small amount of space needed for installation.

Technical parameters	Conveyor requirements	Measuring system
<ul style="list-style-type: none">• Maximum flow up to 4 000 [t/h].• $\pm 1 \div 2\%$ the range of 20-100% minimum load.• Conveyor width 500 ÷ 1200 mm.• Maximum ambient temperature up to 50 °C.	<p>To achieve high accuracy the belts belt scale should be:</p> <ul style="list-style-type: none">• 2-3 roller system.• radial runout tolerance of idlers 0.2 mm within the balance; gravity pull.• cover against the weather.	<p>The belt scale is based on 2-3 c3 class load cells made of aluminium with IP67 tightness class. A speed measurement sensor in the form of a CPW, CPE or Whirling tachometric wheel is supplied with the scale.</p>
System Control	Weight execution	Options
<ul style="list-style-type: none">• 1020.• SGM800.• Flex 2100/Flex.	<p>The scale is made of carbon steel, powder coated with polyester paint.</p> <p>On request can be made:</p> <ul style="list-style-type: none">• the varnish coat class C5.• out of stainless steel 304• made of electrochemically galvanized steel	<ul style="list-style-type: none">• possibility of controlling the flow of material on the conveyor.• the ability to control the loading of a portion of material• Execution for explosion hazard zones Ex.



A - internal distance of the conveyor frame
 A = 600....1500 mm

